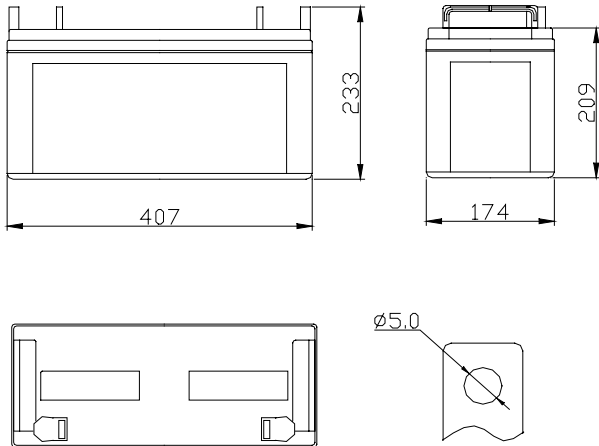




PCL12-120 12V120Ah

A general purpose battery with 10 years design life in standby service or more than 300 cycles at 80% discharge in cycle service.

Outer Dimensions



Dimensions and Weight

| | |
|---------------------------|---------|
| Length (mm) | 407 |
| Width (mm) | 174 |
| Height (mm) | 209-233 |
| Approx. Weight (kg) | 37.6 |

Constant Power Discharge Characteristics Unit: Watt (25°C, 77°F)

| F.V/Time | 5Min | 10Min | 15Min | 30Min | 1h | 2h | 3h | 4h | 5h | 8h | 10h | 20h |
|----------|------|-------|-------|-------|------|-----|-----|-----|-----|-----|-----|------|
| 1.60V | 5426 | 3531 | 2706 | 1669 | 1006 | 580 | 414 | 331 | 266 | 174 | 142 | 74.0 |
| 1.67V | 5094 | 3406 | 2646 | 1654 | 1000 | 577 | 414 | 326 | 264 | 174 | 140 | 71.7 |
| 1.70V | 4946 | 3346 | 2614 | 1646 | 1000 | 574 | 411 | 326 | 263 | 173 | 140 | 70.9 |
| 1.75V | 4614 | 3194 | 2526 | 1623 | 991 | 574 | 411 | 326 | 262 | 171 | 138 | 70.3 |
| 1.80V | 4283 | 3043 | 2443 | 1600 | 991 | 571 | 409 | 326 | 262 | 170 | 136 | 68.6 |
| 1.85V | 3946 | 2894 | 2351 | 1577 | 986 | 569 | 409 | 323 | 261 | 169 | 135 | 66.9 |

Constant Current Discharge Characteristics Unit: A (25°C, 77°F)

| F.V/Time | 5Min | 10Min | 15Min | 30Min | 1h | 2h | 3h | 4h | 5h | 8h | 10h | 20h |
|----------|------|-------|-------|-------|------|------|------|------|------|------|------|------|
| 1.60V | 458 | 297 | 227 | 140 | 84.6 | 48.6 | 34.9 | 27.8 | 22.7 | 14.9 | 12.1 | 6.23 |
| 1.67V | 428 | 286 | 222 | 139 | 84.0 | 48.6 | 34.9 | 27.5 | 22.5 | 14.8 | 12.0 | 6.11 |
| 1.70V | 414 | 281 | 220 | 138 | 84.0 | 48.3 | 34.6 | 27.4 | 22.5 | 14.8 | 12.0 | 6.06 |
| 1.75V | 388 | 268 | 212 | 136 | 83.4 | 48.3 | 34.6 | 27.3 | 22.4 | 14.7 | 11.8 | 6.00 |
| 1.80V | 360 | 256 | 205 | 135 | 83.4 | 48.0 | 34.3 | 27.3 | 22.4 | 14.5 | 11.6 | 5.86 |
| 1.85V | 332 | 243 | 198 | 133 | 82.9 | 47.7 | 34.3 | 27.2 | 22.3 | 14.4 | 11.5 | 5.57 |

Above data are average values. Subject to change without prior notice. For latest product info, please contact our sales team.

| Specification | |
|---|---|
| Dimensions (L*W*H) | 407mm* 174mm*209mm*233mm |
| Cells Per Unit | 6 |
| Nominal Voltage Per Unit | 12 |
| Capacity | 120 Ah at 10 hour-Rate to 1.75V Per Cell at 25°C(77°F) |
| Weight | Approx. 37.6kg (82.72 LBS) |
| Maximum Discharge Current | 1142A (5 Sec) |
| Operating Temperature Range | Discharge : -20°C~50°C (-4°F~122°F) Charge : 0°C~40°C (32°F~104°F) Storage : -20°C~40°C (-4°F~104°F) |
| Nominal Operating Temperature Range | 25°C±3°C(77°F±5°F) |
| Float Charging Voltage | 13.5 to 13.8 VDC/Unit Average at 25°C(77°F) |
| Recommended Maximum Charging Current Limit | 24 A |
| Equalization and Cycle Service | 14.4 to 15.0 VDC/Unit Average at 25°C(77°F) |
| Self Discharge | Batteries can be stored for more than 6 months at 25°C(77°F). Please charge batteries before using. For higher temperatures the time interval will be shorter. |
| Terminal | Fast on 26*8 |
| Container Material | UL94-V2 Flammable resistant |
| Carton Dimensions | 435mm*196mm*260mm |
| PCS. in Carton | 1 |


PCE BATTERY INDUSTRIAL

4805 Colombo Mississauga, ON L5M 7R3, Canada

Tel: 1(905) 607-2552 Fax: 1(905) 607-9811 sales@pcebattery.com

WWW.PCEBATTERY.COM