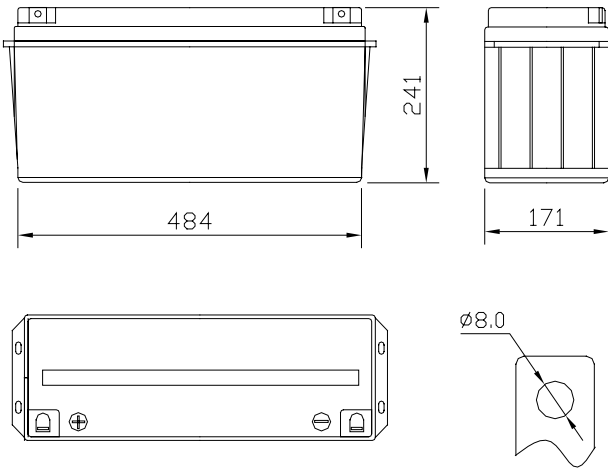




# PCL12-150 12V150Ah

A general purpose battery with 10 years design life in standby service or more than 300 cycles at 80% discharge in cycle service.

## Outer Dimensions



## Dimensions and Weight

Length (mm) .....	484
Width (mm) .....	171
Height (mm) .....	241
Approx. Weight (kg) .....	47.0

## Constant Power Discharge Characteristics Unit: Watt ( 25°C, 77°F)

F.V/Time	5Min	10Min	15Min	30Min	1h	2h	3h	4h	5h	8h	10h	20h
1.60V	6783	4414	3382	2086	1257	725	518	414	333	218	178	92.5
1.67V	6368	4257	3307	2068	1250	721	518	407	330	217	175	89.6
1.70V	6183	4182	3268	2057	1250	718	514	407	329	216	175	88.6
1.75V	5768	3993	3157	2029	1239	718	514	407	328	214	173	87.9
1.80V	5354	3804	3054	2000	1239	714	511	407	327	213	170	85.7
1.85V	4933	3618	2939	1971	1232	711	511	404	326	211	168	83.6

## Constant Current Discharge Characteristics Unit: A ( 25°C, 77°F)

F.V/Time	5Min	10Min	15Min	30Min	1h	2h	3h	4h	5h	8h	10h	20h
1.60V	573	371	284	175	106	60.7	43.6	34.8	28.4	18.6	15.1	7.79
1.67V	535	358	278	174	105	60.7	43.6	34.4	28.2	18.5	15.0	7.64
1.70V	518	351	275	173	105	60.4	43.2	34.3	28.1	18.5	15.0	7.57
1.75V	485	335	265	170	104	60.4	43.2	34.2	28.0	18.3	14.8	7.50
1.80V	450	320	256	168	104	60.0	42.9	34.1	28.0	18.1	14.5	7.32
1.85V	415	304	247	166	104	59.6	42.9	34.0	27.9	18.0	14.4	6.96

Above data are average values. Subject to change without prior notice. For latest product info, please contact our sales team.

<b>Specification</b>	
<b>Dimensions (L*W*H)</b>	484mm* 171mm*241mm
<b>Cells Per Unit</b>	6
<b>Nominal Voltage Per Unit</b>	12
<b>Capacity</b>	150 Ah at 10 hour-Rate to 1.75V Per Cell at 25°C(77°F)
<b>Weight</b>	Approx. 47.0kg (103.4 LBS)
<b>Maximum Discharge Current</b>	1427A (5 Sec)
<b>Operating Temperature Range</b>	Discharge : -20°C~50°C (-4°F~122°F) Charge : 0°C~40°C (32°F~104°F) Storage : -20°C~40°C (-4°F~104°F)
<b>Nominal Operating Temperature Range</b>	25°C±3°C(77°F±5°F)
<b>Float Charging Voltage</b>	13.5 to 13.8 VDC/Unit Average at 25°C(77°F)
<b>Recommended Maximum Charging Current Limit</b>	30 A
<b>Equalization and Cycle Service</b>	14.4 to 15.0 VDC/Unit Average at 25°C(77°F)
<b>Self Discharge</b>	Batteries can be stored for more than 6 months at 25°C(77°F). Please charge batteries before using. For higher temperatures the time interval will be shorter.
<b>Terminal</b>	Fast on 26*8
<b>Container Material</b>	UL94-V2 Flammable resistant
<b>Carton Dimensions</b>	515mm*196mm*290mm
<b>PCS. in Carton</b>	1

