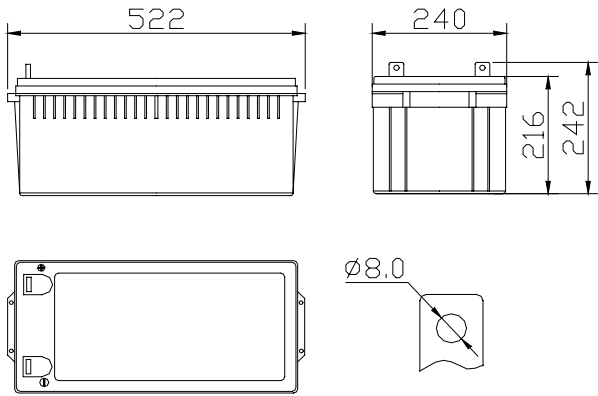




PCL12-200 12V200Ah

A general purpose battery with 10 years design life in standby service or more than 300 cycles at 80% discharge in cycle service.

Outer Dimensions



Dimensions and Weight

Length (mm)	522
Width (mm)	240
Height (mm)	216-242
Approx. Weight (kg)	65.0

Constant Power Discharge Characteristics Unit: Watt (25°C, 77°F)

F.V/Time	5Min	10Min	15Min	30Min	1h	2h	3h	4h	5h	8h	10h	20h
1.60V	9044	5886	4510	2781	1676	967	690	552	443	290	237	123
1.67V	8491	5676	4410	2757	1667	962	690	543	440	290	234	120
1.70V	8244	5576	4357	2743	1667	957	686	543	439	288	234	118
1.75V	7691	5324	4210	2705	1652	957	686	543	437	286	230	117
1.80V	7139	5071	4071	2667	1652	952	681	543	436	283	227	114
1.85V	6577	4824	3919	2629	1643	948	681	538	435	281	224	111

Constant Current Discharge Characteristics Unit: A (25°C, 77°F)

F.V/Time	5Min	10Min	15Min	30Min	1h	2h	3h	4h	5h	8h	10h	20h
1.60V	764	495	379	234	141	81.0	58.1	46.3	37.9	24.9	20.2	10.4
1.67V	713	477	370	231	140	81.0	58.1	45.8	37.6	24.7	20.0	10.2
1.70V	691	469	366	230	140	80.5	57.6	45.7	37.5	24.6	20.0	10.1
1.75V	647	447	354	227	139	80.5	57.6	45.6	37.4	24.4	19.7	10.0
1.80V	600	426	342	224	139	80.0	57.1	45.5	37.3	24.2	19.4	9.76
1.85V	553	405	330	221	138	79.5	57.1	45.4	37.1	24.0	19.1	9.29

Above data are average values. Subject to change without prior notice. For latest product info, please contact our sales team.

Specification	
Dimensions (L*W*H)	522mm* 240mm*216mm*242mm
Cells Per Unit	6
Nominal Voltage Per Unit	12
Capacity	200 Ah at 10 hour-Rate to 1.75V Per Cell at 25°C(77°F)
Weight	Approx. 65.0kg (143.3 LBS)
Maximum Discharge Current	1902A (5 Sec)
Operating Temperature Range	Discharge : -20°C~50°C (-4°F~122°F) Charge : 0°C~40°C (32°F~104°F) Storage : -20°C~40°C (-4°F~104°F)
Nominal Operating Temperature Range	25°C±3°C(77°F±5°F)
Float Charging Voltage	13.5 to 13.8 VDC/Unit Average at 25°C(77°F)
Recommended Maximum Charging Current Limit	40 A
Equalization and Cycle Service	14.4 to 15.0 VDC/Unit Average at 25°C(77°F)
Self Discharge	Batteries can be stored for more than 6 months at 25°C(77°F). Please charge batteries before using. For higher temperatures the time interval will be shorter.
Terminal	Fast on 26*8
Container Material	UL94-V2 Flammable resistant
Carton Dimensions	550mm*265mm*265mm
PCS. in Carton	1

