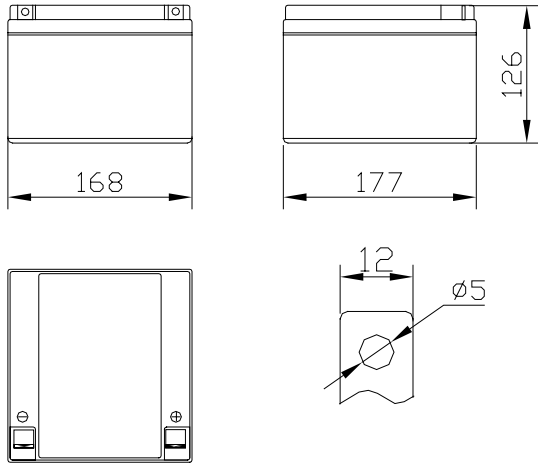




PCL12-26 12V26Ah

A general purpose battery with 10 years design life in standby service or more than 300 cycles at 80% discharge in cycle service.

Outer Dimensions



Dimensions and Weight

Length (mm)	177
Width (mm)	168
Height (mm)	126
Approx. Weight (kg)	9.2

Constant Power Discharge Characteristics Unit: Watt (25°C, 77°F)

F.V/Time	5Min	10Min	15Min	30Min	1h	2h	3h	4h	5h	8h	10h	20h
1.60V	1177	765	586	361	218	125	89.7	71.5	57.7	37.8	30.7	16.1
1.67V	1105	738	573	358	216	125	89.7	70.9	57.1	37.6	30.4	15.5
1.70V	1073	725	566	357	216	124	89.1	70.9	57.0	37.4	30.4	15.3
1.75V	1000	692	547	352	215	124	89.1	70.9	56.8	37.1	30.0	15.2
1.80V	928	659	529	346	215	124	88.4	70.9	56.7	36.9	29.4	14.9
1.85V	856	627	510	342	214	124	88.4	70.2	56.6	36.5	29.2	14.5

Constant Current Discharge Characteristics Unit: A (25°C, 77°F)

F.V/Time	5Min	10Min	15Min	30Min	1h	2h	3h	4h	5h	8h	10h	20h
1.60V	98.9	64.4	49.3	30.4	18.3	10.5	7.54	6.03	4.93	3.23	2.63	1.35
1.67V	92.8	61.9	48.2	30.1	18.2	10.5	7.54	5.95	4.88	3.21	2.60	1.33
1.70V	89.6	60.9	47.6	30.0	18.2	10.5	7.48	5.93	4.88	3.20	2.60	1.31
1.75V	84.5	58.1	46.0	29.5	18.1	10.5	7.48	5.92	4.86	3.18	2.55	1.30
1.80V	78.0	55.4	44.5	29.2	18.1	10.4	7.41	5.92	4.85	3.15	2.52	1.27
1.85V	71.5	52.7	42.8	28.7	17.9	10.3	7.41	5.90	4.83	3.12	2.49	1.21

Above data are average values. Subject to change without prior notice. For latest product info, please contact our sales team.

Specification	
Dimensions (L*W*H)	177mm* 168mm*126mm
Cells Per Unit	6
Nominal Voltage Per Unit	12
Capacity	26 Ah at 20 hour-Rate to 1.75V Per Cell at 25°C(77°F)
Weight	Approx. 9.2kg (20.24 LBS)
Maximum Discharge Current	247.7 A (5 Sec)
Internal Resistance Approx.	Approx. 13 mΩ
Operating Temperature Range	Discharge : -20°C~50°C (-4°F~122°F) Charge : 0°C~40°C (32°F~104°F) Storage : -20°C~40°C (-4°F~104°F)
Nominal Operating Temperature Range	25°C±3°C(77°F±5°F)
Float Charging Voltage	13.5 to 13.8 VDC/Unit Average at 25°C(77°F)
Recommended Maximum Charging Current Limit	9.8 A
Equalization and Cycle Service	14.4 to 15.0 VDC/Unit Average at 25°C(77°F)
Self Discharge	Batteries can be stored for more than 6 months at 25°C(77°F). Please charge batteries before using. For higher temperatures the time interval will be shorter.
Terminal	Fast on 12*2
Container Material	UL94-V2 Flammable resistant
Carton Dimensions	200mm*183mm*145mm
PCS. in Carton	1

