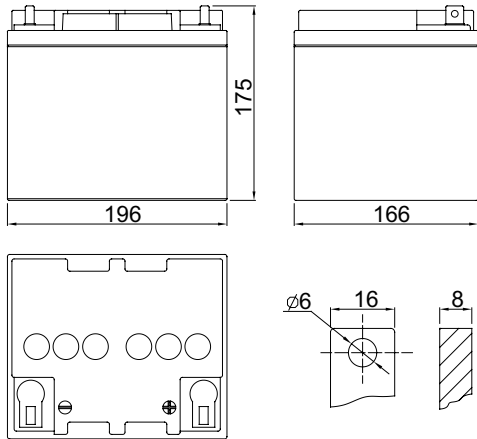




# PCL12-40 12V40Ah

A general purpose battery with 10 years design life in standby service or more than 300 cycles at 80% discharge in cycle service.

## Outer Dimensions



## Dimensions and Weight

Length (mm) .....	196
Width (mm) .....	166
Height (mm) .....	175
Approx. Weight (kg) .....	14.7

## Constant Power Discharge Characteristics Unit: Watt ( 25°C, 77°F)

F.V/Time	5Min	10Min	15Min	30Min	1h	2h	3h	4h	5h	8h	10h	20h
1.60V	1809	1177	902	556	335	193	138	110	88.7	58.1	47.3	24.7
1.67V	1698	1135	882	551	333	192	138	109	87.9	57.9	46.8	23.9
1.70V	1649	1115	871	549	333	191	137	109	87.7	57.6	46.8	23.6
1.75V	1538	1065	842	541	330	191	137	109	87.4	57.1	46.1	23.4
1.80V	1428	1014	814	533	330	190	136	109	87.2	56.7	45.3	22.9
1.85V	1315	965	784	526	329	190	136	108	87.0	56.2	44.9	22.3

## Constant Current Discharge Characteristics Unit: A ( 25°C, 77°F)

F.V/Time	5Min	10Min	15Min	30Min	1h	2h	3h	4h	5h	8h	10h	20h
1.60V	152	99.0	75.8	46.8	28.2	16.2	11.6	9.27	7.58	4.97	4.04	2.08
1.67V	143	95.3	74.1	46.3	28.0	16.2	11.6	9.16	7.51	4.94	4.00	2.04
1.70V	138	93.7	73.2	46.1	28.0	16.1	11.5	9.13	7.50	4.92	4.00	2.02
1.75V	130	89.4	70.8	45.4	27.8	16.1	11.5	9.11	7.48	4.89	3.93	2.00
1.80V	120	85.2	68.4	44.9	27.8	16.0	11.4	9.10	7.46	4.84	3.88	1.95
1.85V	110	81.0	65.9	44.2	27.6	15.9	11.4	9.08	7.43	4.80	3.83	1.86

Above data are average values. Subject to change without prior notice. For latest product info, please contact our sales team.

<b>Specification</b>	
<b>Dimensions (L*W*H)</b>	196mm* 166mm*175mm
<b>Cells Per Unit</b>	6
<b>Nominal Voltage Per Unit</b>	12
<b>Capacity</b>	40 Ah at 20 hour-Rate to 1.75V Per Cell at 25°C(77°F)
<b>Weight</b>	Approx. 14.7kg (32.34 LBS)
<b>Maximum Discharge Current</b>	381A (5 Sec)
<b>Operating Temperature Range</b>	Discharge : -20°C~50°C (-4°F~122°F) Charge : 0°C~40°C (32°F~104°F) Storage : -20°C~40°C (-4°F~104°F)
<b>Nominal Operating Temperature Range</b>	25°C±3°C(77°F±5°F)
<b>Float Charging Voltage</b>	13.5 to 13.8 VDC/Unit Average at 25°C(77°F)
<b>Recommended Maximum Charging Current Limit</b>	8.0 A
<b>Equalization and Cycle Service</b>	14.4 to 15.0 VDC/Unit Average at 25°C(77°F)
<b>Self Discharge</b>	Batteries can be stored for more than 6 months at 25°C(77°F). Please charge batteries before using. For higher temperatures the time interval will be shorter.
<b>Terminal</b>	Fast on 16*8
<b>Container Material</b>	UL94-V2 Flammable resistant
<b>Carton Dimensions</b>	220mm*190mm*205mm
<b>PCS. in Carton</b>	1

